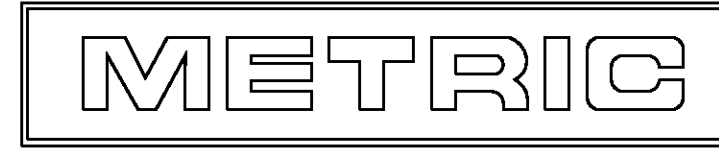


LOC	DIST	P	F	ZONE	LTR	REVISIONS	DATE	APPD
AD	14					DESCRIPTION		
					F	REV PER 063C-0575-03	05DEC03	RB MM

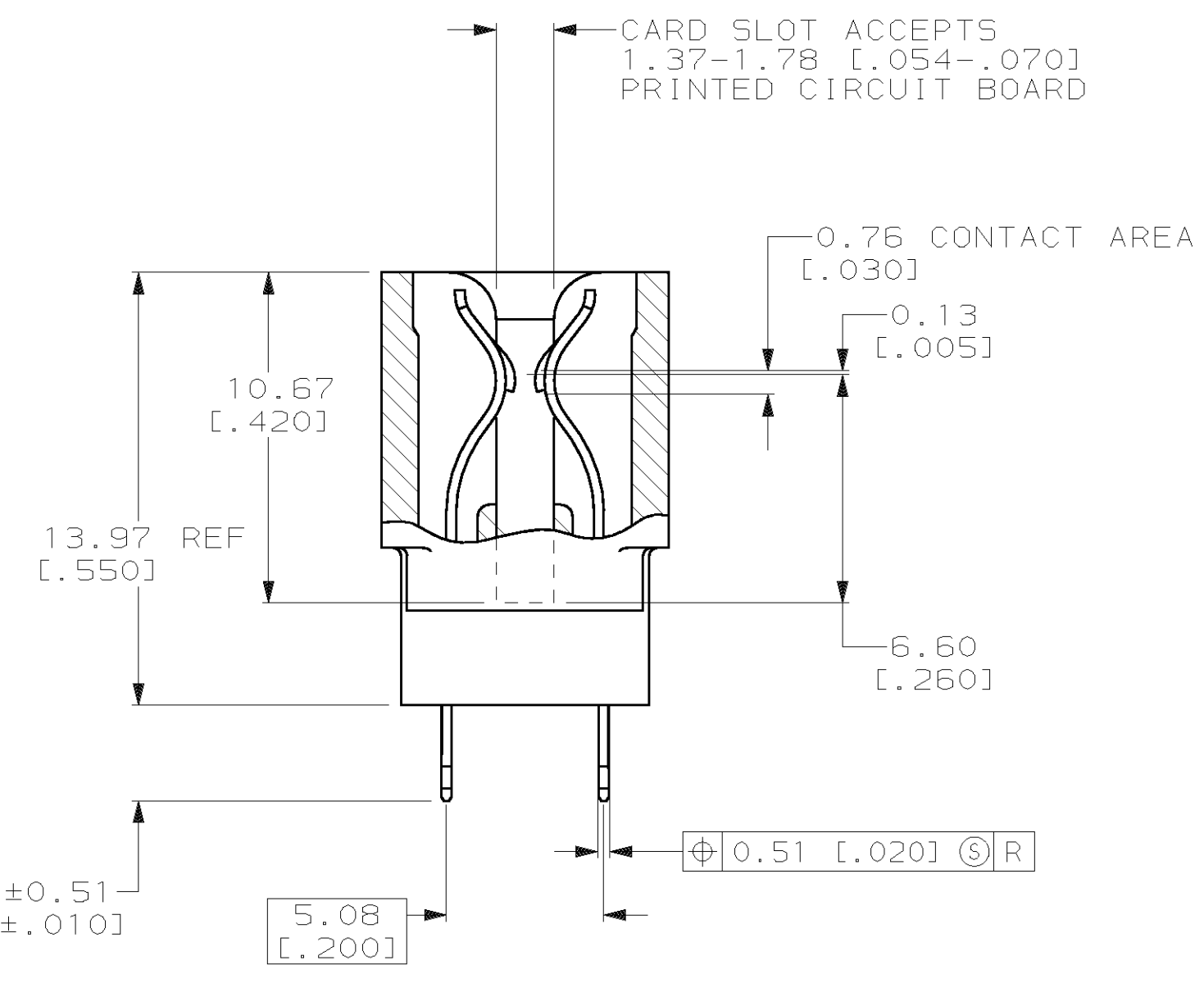
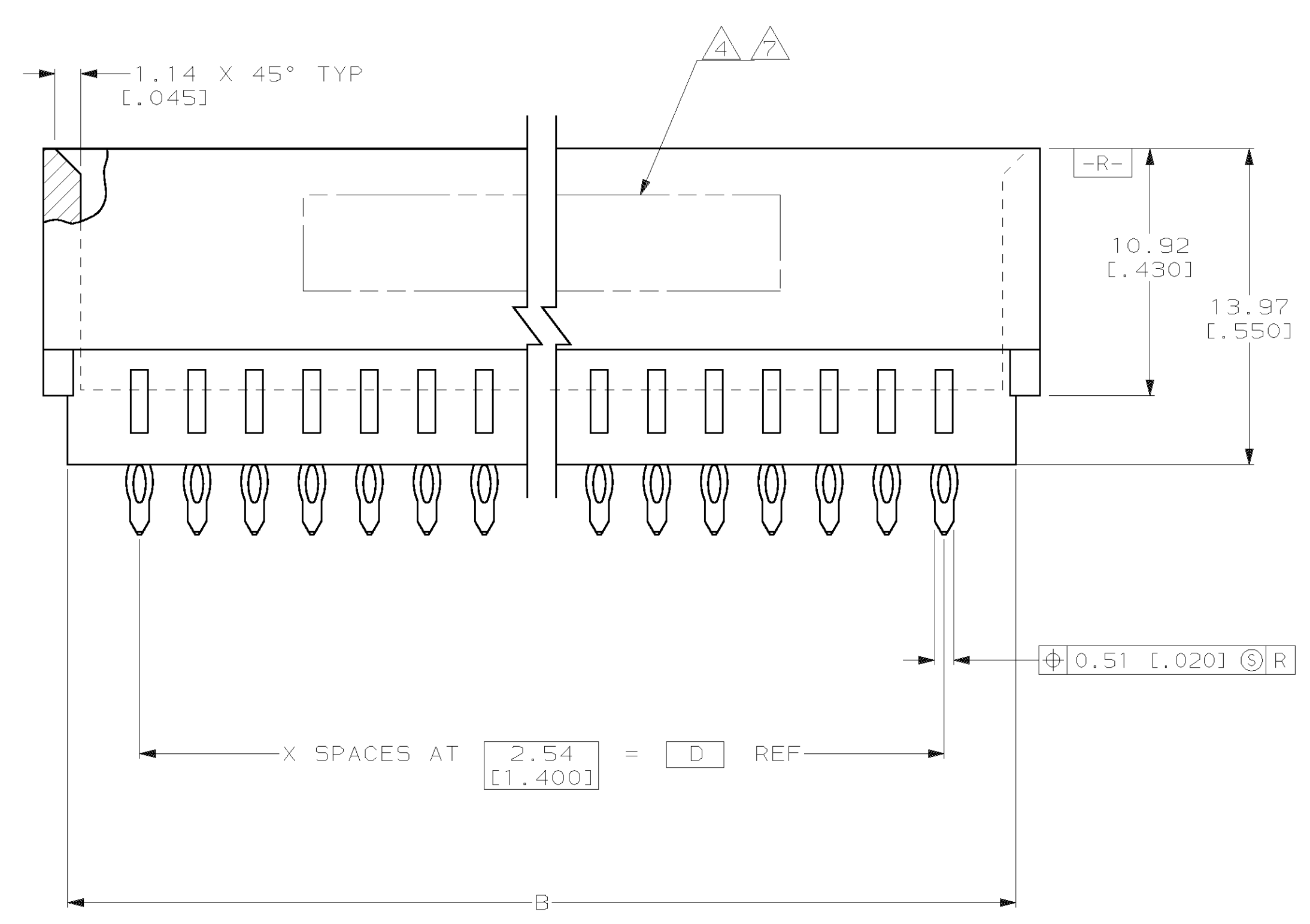
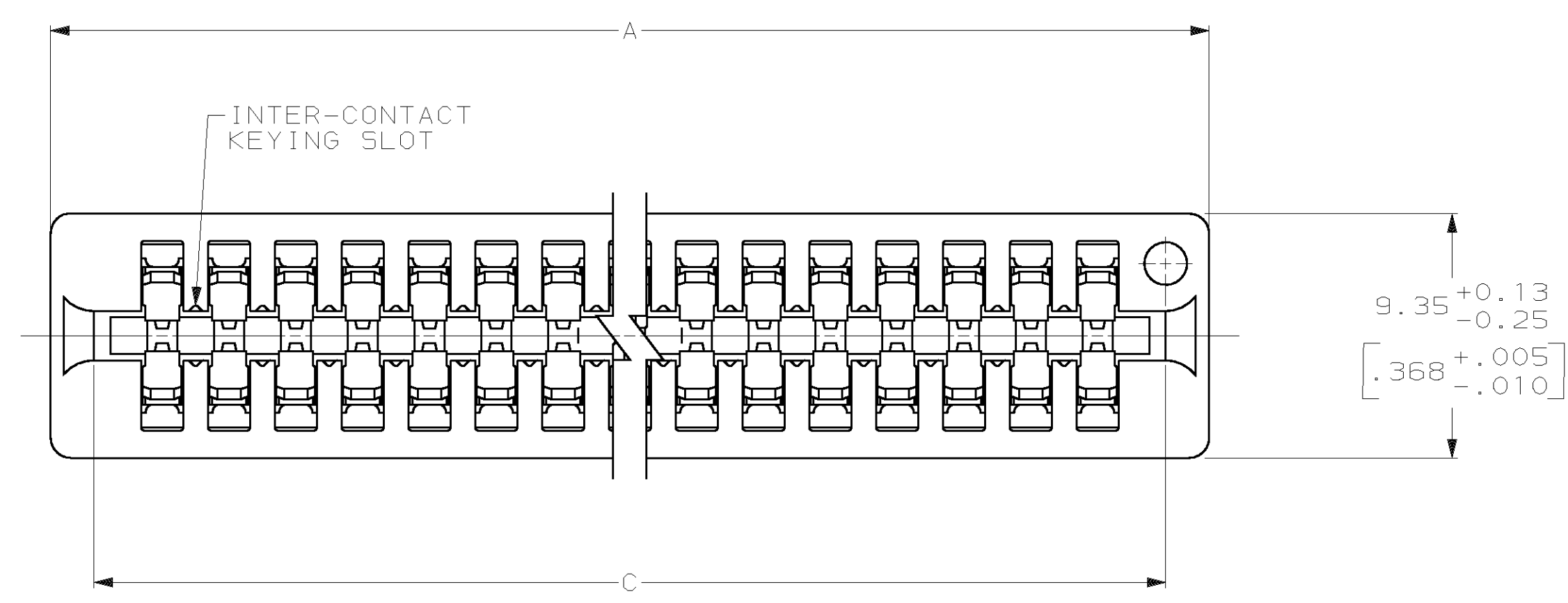
D	C	B	A	X	POSN	PART NO
149.86 [5.900]	155.04 [6.104]	156.21 [6.150]	158.34 [6.234]	59	60	6-147490-0
147.32 [5.800]	152.50 [6.004]	153.67 [6.050]	155.80 [6.134]	58	59	5-147490-9
144.78 [5.700]	149.96 [5.904]	151.13 [5.950]	153.26 [6.034]	57	58	5-147490-8
142.24 [5.600]	147.42 [5.804]	148.59 [5.850]	150.72 [5.934]	56	57	5-147490-7
139.70 [5.500]	144.88 [5.704]	146.05 [5.750]	148.18 [5.834]	55	56	5-147490-6
137.16 [5.400]	142.34 [5.604]	143.51 [5.650]	145.64 [5.734]	54	55	5-147490-5
134.62 [5.300]	139.80 [5.504]	140.97 [5.550]	143.10 [5.634]	53	54	5-147490-4
132.08 [5.200]	137.26 [5.404]	138.43 [5.450]	140.56 [5.534]	52	53	5-147490-3
129.54 [5.100]	134.72 [5.304]	135.89 [5.350]	138.02 [5.434]	51	52	5-147490-2
127.00 [5.000]	132.18 [5.204]	133.35 [5.250]	135.48 [5.334]	50	51	5-147490-1
124.46 [4.900]	129.64 [5.104]	130.81 [5.150]	132.94 [5.234]	49	50	5-147490-0
121.92 [4.800]	127.10 [5.004]	128.27 [5.050]	130.40 [5.134]	48	49	4-147490-9
119.38 [4.700]	124.56 [4.904]	125.73 [4.950]	127.86 [5.034]	47	48	4-147490-8
116.84 [4.600]	122.02 [4.804]	123.19 [4.850]	125.32 [4.934]	46	47	4-147490-7
114.30 [4.500]	119.48 [4.704]	120.65 [4.750]	122.78 [4.834]	45	46	4-147490-6
111.76 [4.400]	116.94 [4.604]	118.11 [4.650]	120.24 [4.734]	44	45	4-147490-5
109.22 [4.300]	114.40 [4.504]	115.57 [4.550]	117.70 [4.634]	43	44	4-147490-4
106.68 [4.200]	111.86 [4.404]	113.03 [4.450]	115.16 [4.534]	42	43	4-147490-3
104.14 [4.100]	109.32 [4.304]	110.49 [4.350]	112.62 [4.434]	41	42	4-147490-2
101.60 [4.000]	106.78 [4.204]	107.95 [4.250]	110.08 [4.334]	40	41	4-147490-1
99.06 [3.900]	104.24 [4.104]	105.41 [4.150]	107.54 [4.234]	39	40	4-147490-0
96.52 [3.800]	101.70 [4.004]	102.87 [4.050]	105.00 [4.134]	38	39	3-147490-9
93.98 [3.700]	99.16 [3.904]	100.33 [3.950]	102.46 [4.034]	37	38	3-147490-8
91.44 [3.600]	96.62 [3.804]	97.79 [3.850]	99.92 [3.934]	36	37	3-147490-7
88.90 [3.500]	94.08 [3.704]	95.25 [3.750]	97.38 [3.834]	35	36	3-147490-6
86.36 [3.400]	91.54 [3.604]	92.71 [3.650]	94.84 [3.734]	34	35	3-147490-5
83.82 [3.300]	89.00 [3.504]	90.17 [3.550]	92.30 [3.634]	33	34	3-147490-4
81.28 [3.200]	86.46 [3.404]	87.63 [3.450]	89.76 [3.534]	32	33	3-147490-3
78.74 [3.100]	83.92 [3.304]	85.09 [3.350]	87.22 [3.434]	31	32	3-147490-2
76.20 [3.000]	81.38 [3.204]	82.55 [3.250]	84.68 [3.334]	30	31	3-147490-1
73.66 [2.900]	78.84 [3.104]	80.01 [3.150]	82.14 [3.234]	29	30	3-147490-0
71.12 [2.800]	76.30 [3.004]	77.47 [3.050]	79.60 [3.134]	28	29	2-147490-9
68.58 [2.700]	73.76 [2.904]	74.93 [2.950]	77.06 [3.034]	27	28	2-147490-8
66.04 [2.600]	71.22 [2.804]	72.39 [2.850]	74.52 [2.934]	26	27	2-147490-7
63.50 [2.500]	68.68 [2.704]	69.85 [2.750]	71.98 [2.834]	25	26	2-147490-6
60.96 [2.400]	66.14 [2.604]	67.31 [2.650]	69.44 [2.734]	24	25	2-147490-5
58.42 [2.300]	63.60 [2.504]	64.77 [2.550]	66.90 [2.634]	23	24	2-147490-4
55.88 [2.200]	61.06 [2.404]	62.23 [2.450]	64.36 [2.534]	22	23	2-147490-3
53.34 [2.100]	58.52 [2.304]	59.69 [2.350]	61.82 [2.434]	21	22	2-147490-2
50.80 [2.000]	55.98 [2.204]	57.15 [2.250]	59.28 [2.334]	20	21	2-147490-1
48.26 [1.900]	53.44 [2.104]	54.61 [2.150]	56.74 [2.234]	19	20	2-147490-0
45.72 [1.800]	50.90 [2.004]	52.07 [2.050]	54.20 [2.134]	18	19	1-147490-9
43.18 [1.700]	48.36 [1.904]	49.53 [1.950]	51.66 [2.034]	17	18	1-147490-8
40.64 [1.600]	45.82 [1.804]	46.99 [1.850]	49.12 [1.934]	16	17	1-147490-7
38.10 [1.500]	43.28 [1.704]	44.45 [1.750]	46.58 [1.834]	15	16	1-147490-6
35.56 [1.400]	40.74 [1.604]	41.91 [1.650]	44.04 [1.734]	14	15	1-147490-5
33.02 [1.300]	38.20 [1.504]	39.37 [1.550]	41.50 [1.634]	13	14	1-147490-4
30.48 [1.200]	35.66 [1.404]	36.83 [1.450]	38.96 [1.534]	12	13	1-147490-3
27.94 [1.100]	33.12 [1.304]	34.29 [1.350]	36.42 [1.434]	11	12	1-147490-2
25.40 [1.000]	30.58 [1.204]	31.75 [1.250]	33.88 [1.334]	10	11	1-147490-1
22.86 [0.900]	28.04 [1.104]	29.21 [1.150]	31.34 [1.234]	9	10	1-147490-0

- ① HOUSING: GLASS FILLED POLYESTER; COLOR: BLACK.
- ② CONTACT: PHOSPHOR BRONZE.
- ③ NICKEL PLATE: 0.00127 [0.00050] MIN - ALL OVER.
- ④ TIN-LEAD PLATE: 0.00254 [0.00100] MIN - SOLDER POSTS.
- ⑤ GOLD PLATE: 0.00076 [0.00030] MIN - CONTACT AREA.
- ⑥ NICKEL PLATE PER MIL-G-45204.
GOLD PLATE PER QQ-N-290.
- ⑦ AMP PART NUMBER, DATE CODE AND CSA LOGO MAY BE MARKED IN APPROXIMATE AREA SHOWN, EITHER SIDE.
- 8. RECOMMENDED PCB FINISHED HOLE DIA: 1.02±0.08 [0.040±.003].
- ④ ALL PARTS ASSEMBLED IN MEXICO MUST BE MARKED "ASSY IN MEXICO" THE WORD "MEXICO" CAN BE SUBSTITUTED ONLY WHERE PART SIZE PROHIBITS MARKING "ASSY IN MEXICO". MARK PER 115-9009, APPROX. WHERE SHOWN, SIDE OPTIONAL.



DO NOT SCALE PRINT. UNLESS SPECIFIED DIMENSIONS IN mm [INCHES] TOLERANCES ON: 2 PLC DEC ± 0.13 [0.005] 3 PLC DEC ± - ANGLES ± -	DR 31JUL00 R BROWN CHK 31JUL00 M MILLER APPD 31JUL00 M MILLER APPD 31JUL00 R BENDORF	AMP Incorporated Harrisburg, PA 17105-3608		
MATERIAL HOUSING: ① CONTACT: ②	PRODUCT SPEC -	NAME CONNECTOR ASSEMBLY, NEXT GEN PACE, 2.54 [0.100] CL		
FINISH CONTACT: ③ ④ ⑤ ⑥	APPLICATION SPEC -	SIZE D	CAGE CODE 00779	DRAWING NO 147490
WEIGHT -		SCALE 5:1	SHEET 1 OF 2	

LOC		DIST		ZONE		LTR		REVISIONS		DATE	APPD
AD	14	P	F					F	SEE SHEET 1	-	-



DO NOT SCALE PRINT.
 UNLESS SPECIFIED
 DIMENSIONS IN mm [INCHES]
 TOLERANCES ON:
 2 PLC DEC ± 0.13 [0.005]
 3 PLC DEC ± -
 ANGLES ± -

MATERIAL
 HOUSING: 1
 CONTACT: 2

FINISH
 CONTACT: 3 4 5 6

DR 31JUL00 R BROWN	CHK 31JUL00 M MILLER	APPD 31JUL00 M MILLER	APPD 31JUL00 R BENDORF	PRODUCT SPEC -	APPLICATION SPEC -	WEIGHT -
-----------------------	-------------------------	--------------------------	---------------------------	-------------------	-----------------------	-------------

AMP Incorporated Harrisburg, PA 17105-3608		NAME	
		CONNECTOR ASSEMBLY, NEXT GEN PACE, 2.54 [0.100] CL	
SIZE	CAGE CODE	DRAWING NO	
D	00779	147490	
SCALE	5:1	SHEET 2 OF 2	

